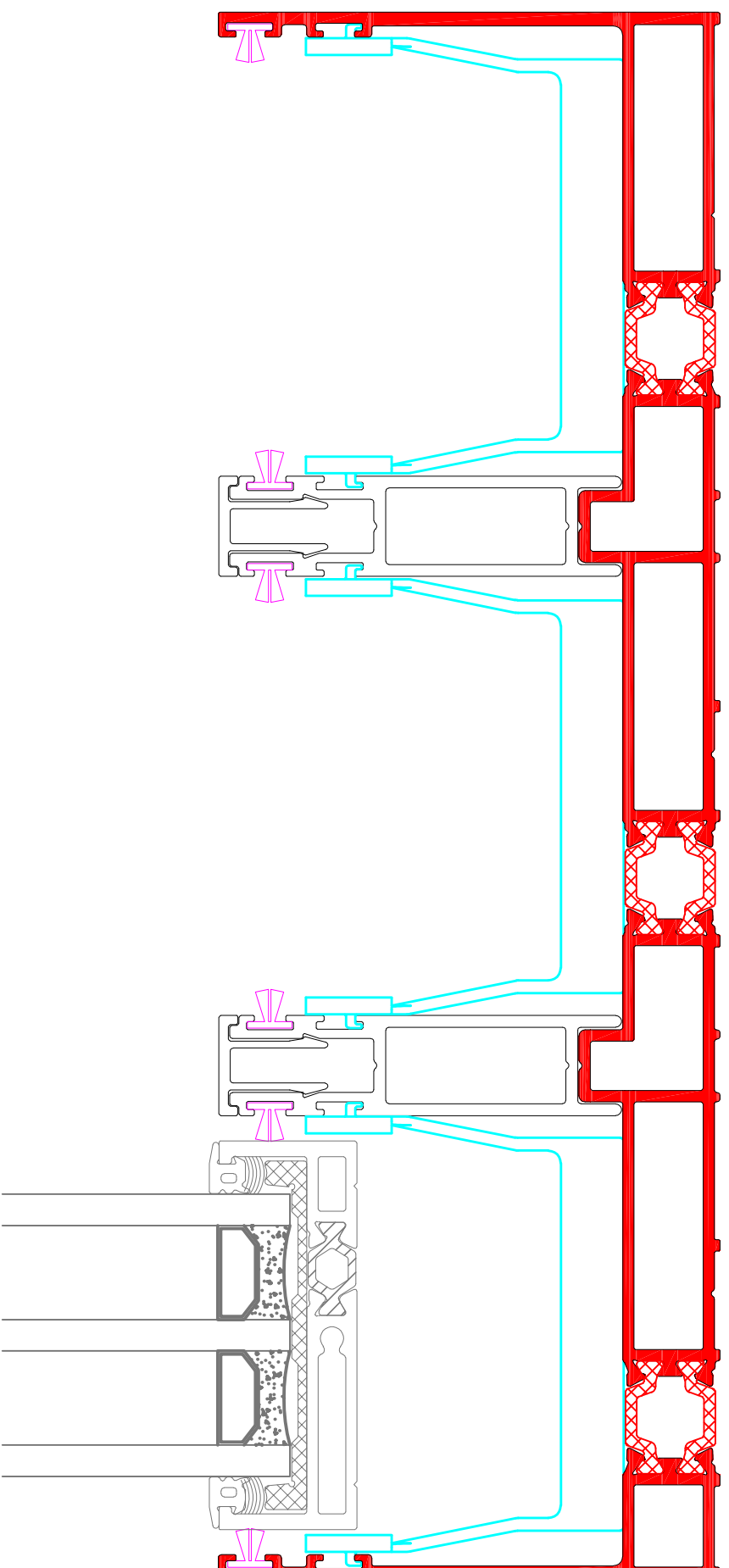
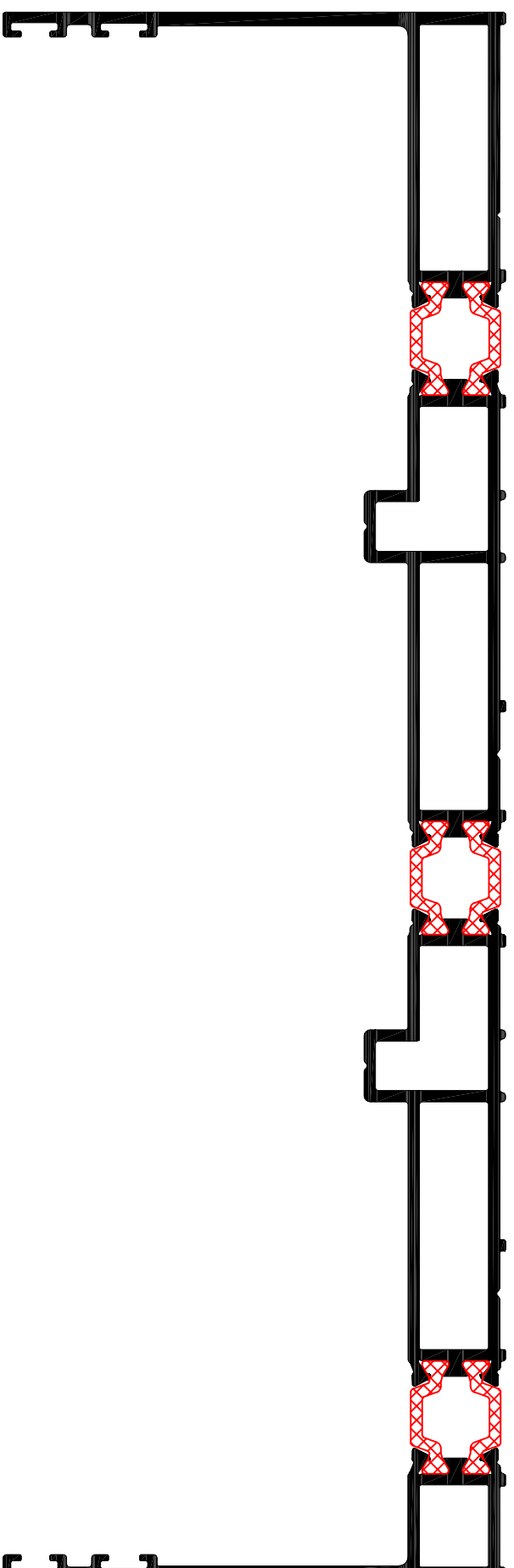


S31712

4177,2 gr/m



PROJECT:

S650

PERSON IN CHARGE:

PERSON

OWNER:

ALUMIL



Alumil S.A.
8 Icdt. Gogoussi str. Elkarpia
Thessaloniki, GR 56429
(+30) 231 3011000
www.alumil.com

R&D Department

Description: S31712_3TRACK_JOINT_PROFILE

Proprietary Notice

Alumil S.A.

ARCHITECT:
ARCHITECT_NAME

DESIGNED NAME DATE1 SIGN

CHECKED NAME2 DATE2

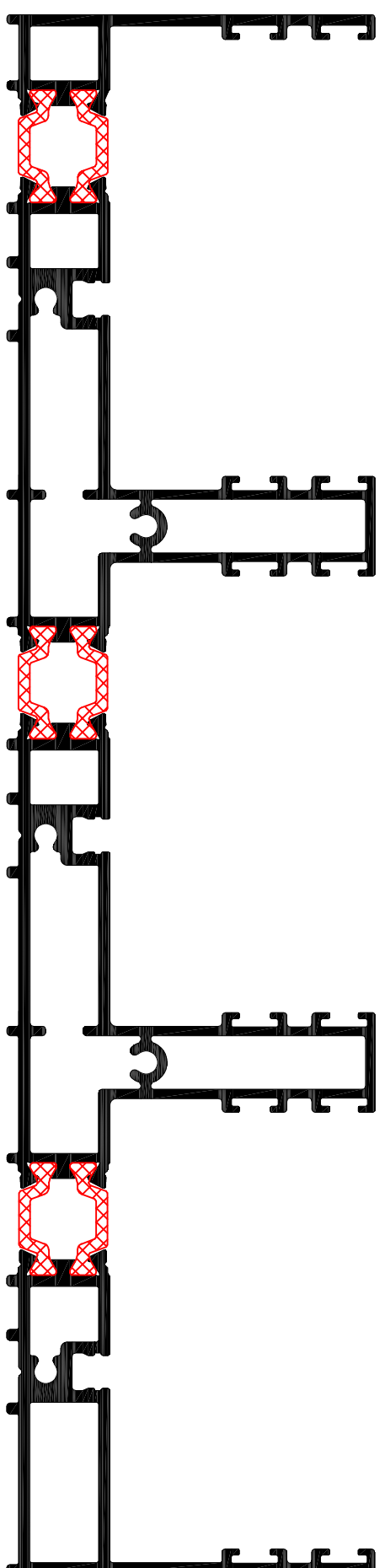
APPROVED NAME3 DATE3

Sub. Rev. Date Description

The drawing sheet and contents herein are property of Alumil S.A. Use of this drawing, contents or design concepts for purposes other than estimating, preparation and/or manufacturing for Alumil S.A. shall be cause for legal recourse by Alumil S.A. Alumil S.A. and logos are registered trademarks of Alumil S.A.

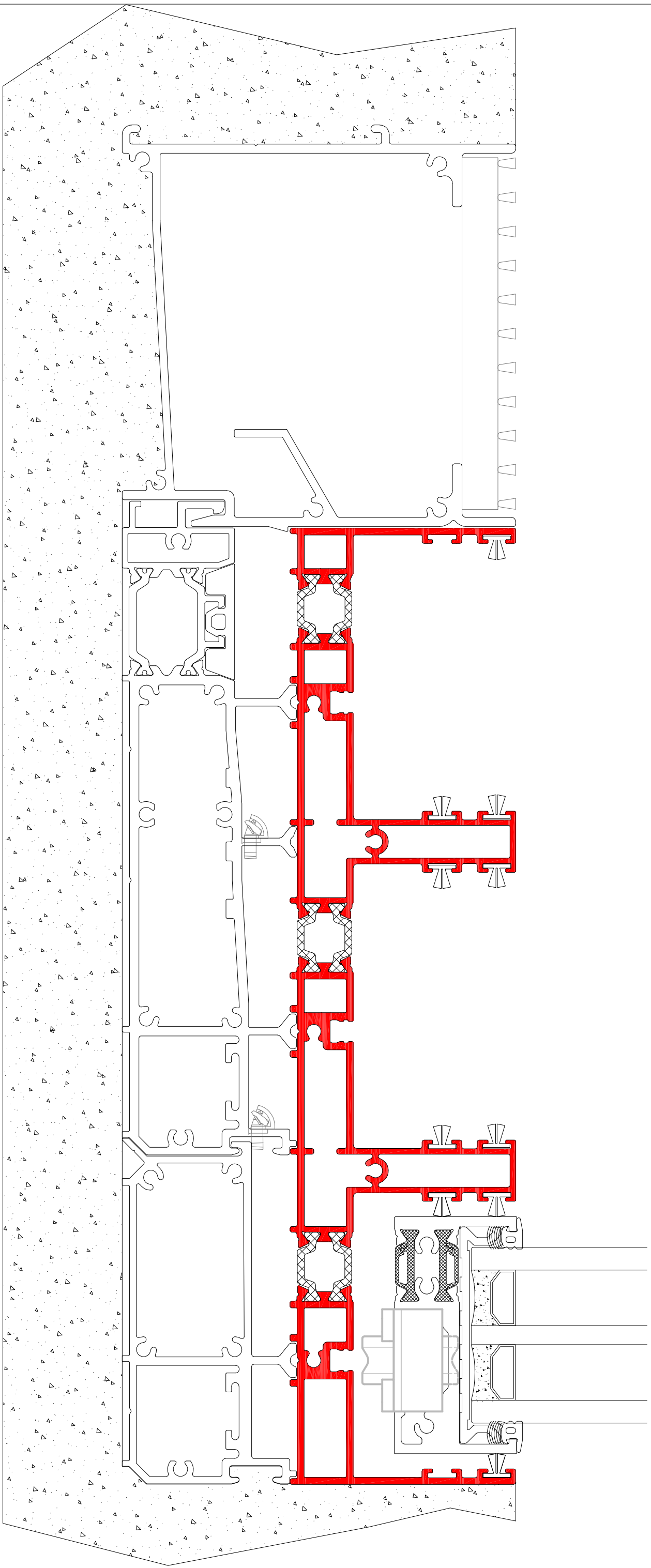
SCALE: 1:1


SHEET NO
SHEET_NO



S31714

5060,6 gr/m



 Alumil S.A. 8 İcift. Gogoussi Str. Etkaplia Thessaloniki, GR 56429 (+30) 231 301 1000 www.alumil.com		PROJECT: S650 PERSON IN CHARGE: PERSON OWNER: ALUMIL
Description: S31714_3TRACK_JOINT_PROFILE		Proprietary Notice Alumil S.A. The drawing, steel and contents herein are property of Alumil S.A. Use of this drawing, contents or design concepts for purposes other than estimating, preparation and/or manufacturing for Alumil S.A. shall be cause for legal recourse by Alumil S.A. Alumil S.A. and logos are registered trademarks of Alumil S.A.
ARCHITECT:	ARCHITECT_NAME	ARCHITECT:
SCALE:	1:1	SHEET NO SHEET_NO
DESIGNER NAME CHECKED NAME2 APPROVED NAME3	DATE1 DATE2 DATE3	SIGN
Sub. Rev. Date	Description	Sub. Rev. Date
R&D Department	R&D Department	R&D Department