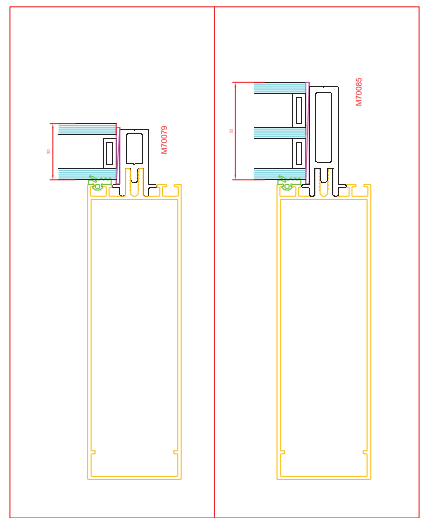
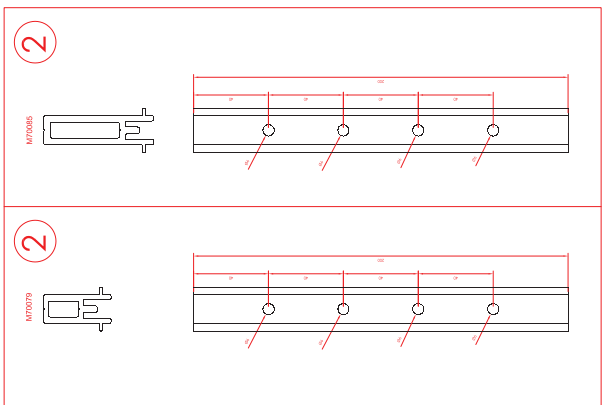
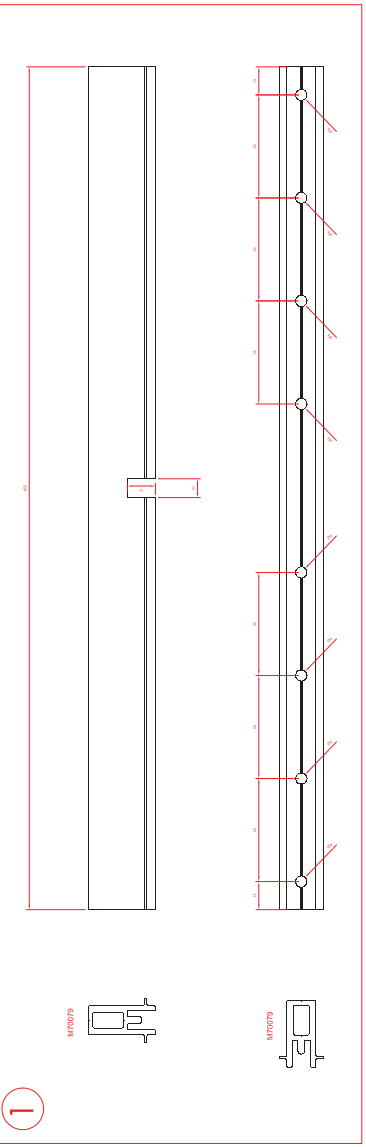
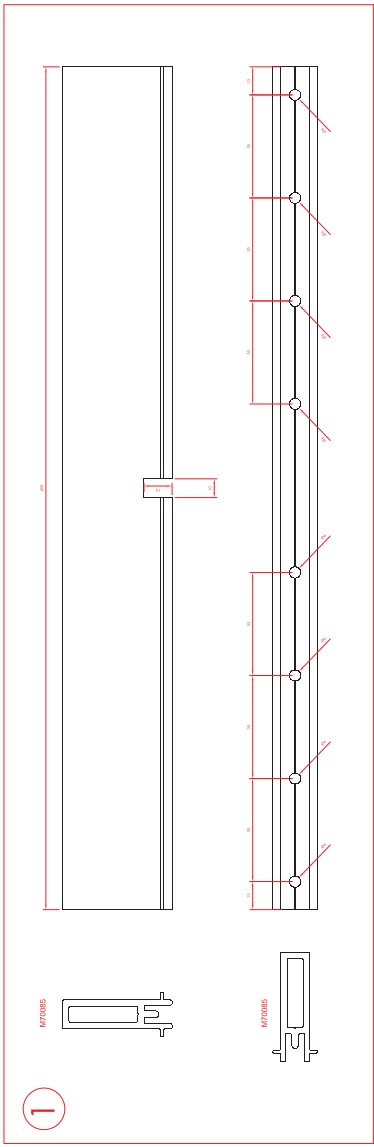
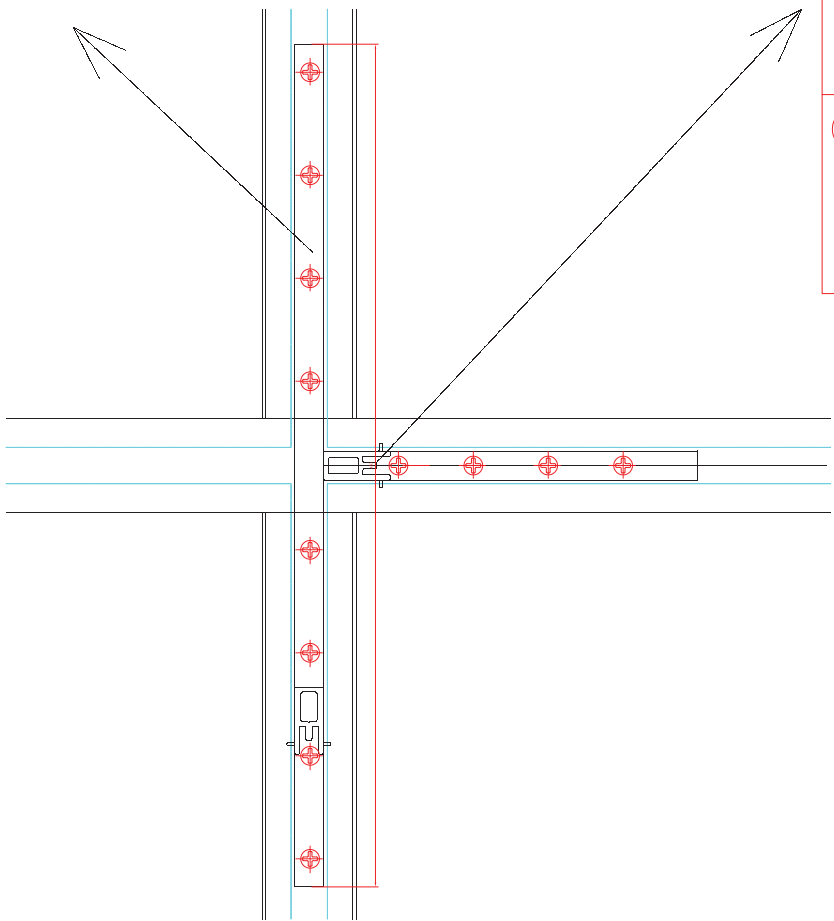
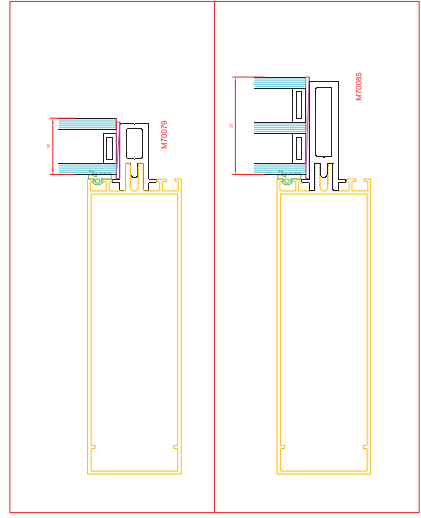
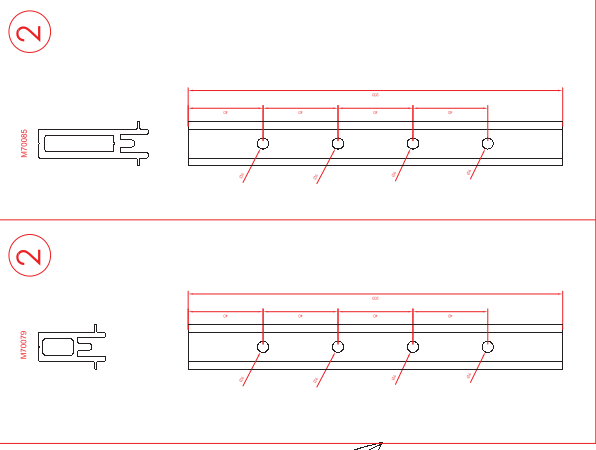
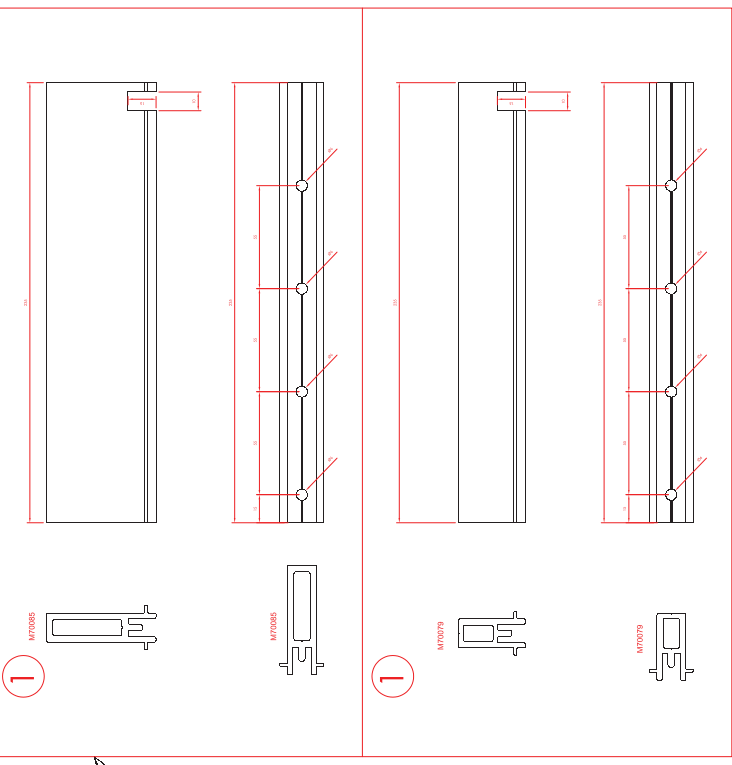
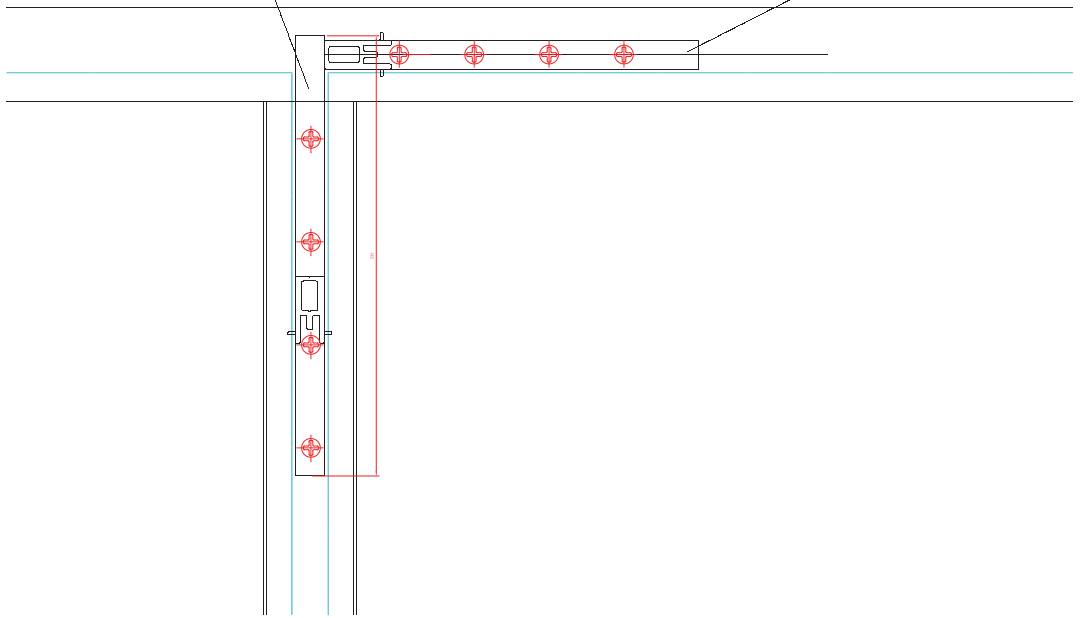


PERSON	DATE	REVISION



T-Connector

PERSONES	
PERSONA	FECHA
CREADOR	
VALIDADOR	
PROYECTANTE	
REVISOR	



L-Connector



Alumal S.A.
Calle de la Industria 15
41013 San Juan de los Rios
Sevilla, España

RDJ Department

Proprietat's Notices

Before using any of our products, please read the following instructions carefully. The user must be aware that the use of our products is subject to the following conditions:
1. The user must be aware that the use of our products is subject to the following conditions:
2. The user must be aware that the use of our products is subject to the following conditions:
3. The user must be aware that the use of our products is subject to the following conditions:

PERSON	PERSON'S NAME	DATE
CHECKER	NAME	DATE
NAME	NAME2	DATE2
DATE	NAME3	DATE3

PROJECT: ALUMAL S.A. - ALUMINUM

OWNER: ALUMAL S.A.

ARCHITECT: ALUMAL S.A.

CONTRACTOR: ALUMAL S.A.

INSTALLER: ALUMAL S.A.

SCALE: 1:1

PROJECT NO. PROJECT NO.

SHEET NO. SHEET NO.

